

WAVE SOD IT

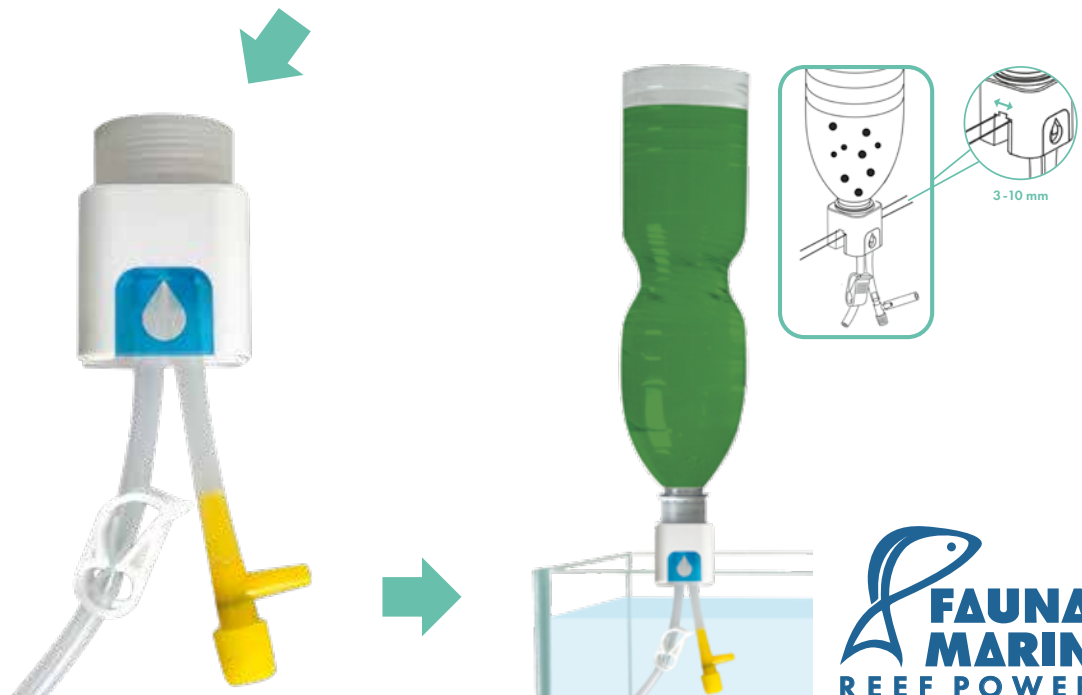
FAUNA MARIN DIY REAKTOR

Breeding system for Artemia, Phytoplankton and Zooplankton





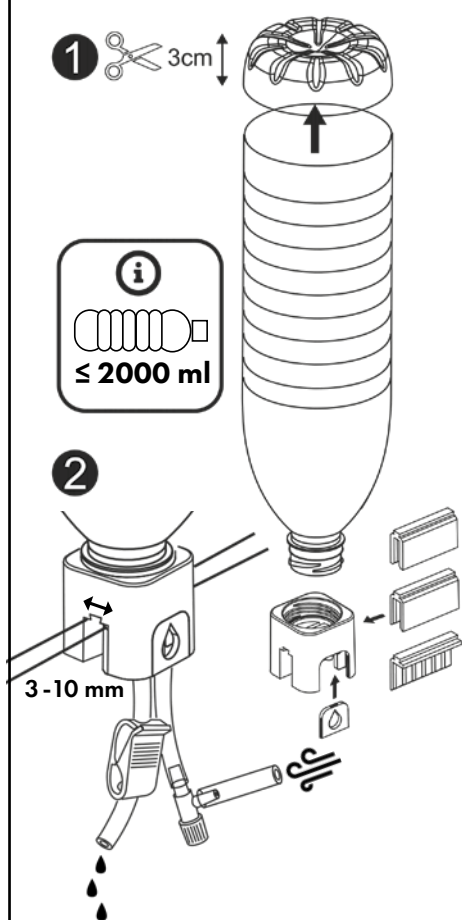
FAUNA MARIN DIY REAKTOR



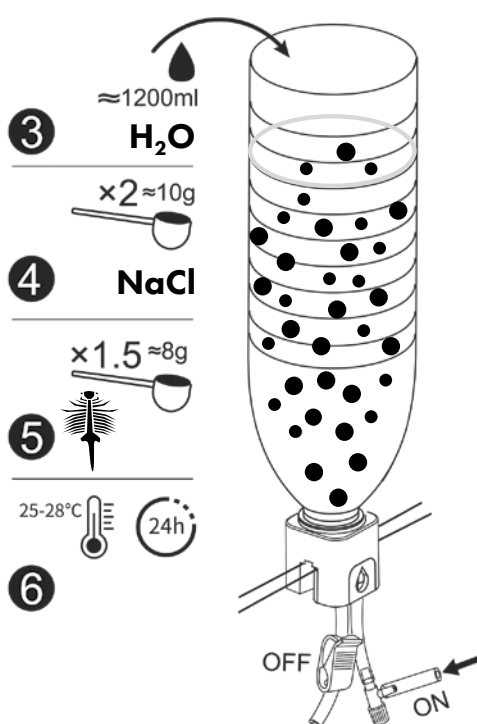


FAUNA MARIN DIY REAKTOR

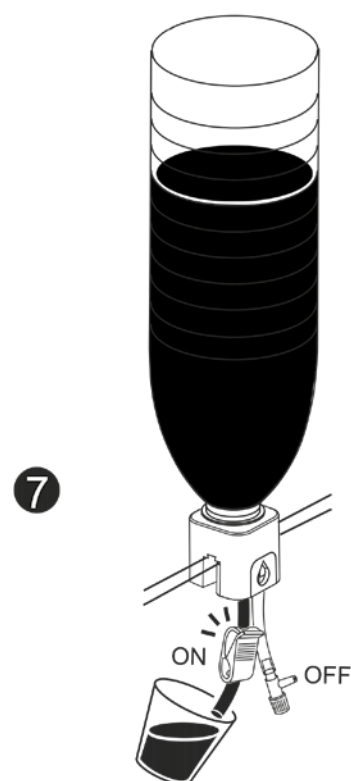
Construction



Incubation Artemia



Reward





FAUNA MARIN DIY REAKTOR

For further information or individual advice, please contact us directly on our support forum:
<https://forum.faunamarin.de>

For more information on corals and our products, please visit our website:
www.faunamarin.de

Manuals and HTU guides can be found in our download center:
www.faunamarin.de/support-downloads/



HOW TO USE

Wishing you much success!

Fauna Marin GmbH